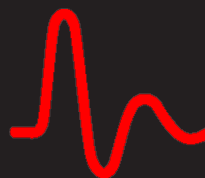


# 353 RetroPAK



Siemens/Moore Controller Replacement



**MicroMod**  
AUTOMATION & CONTROLS

# 353 Re Multiloop

Replace Obsolete 35  
Step Up to  
Retain Familiar

## Easy to Operate

- “At-A-Glance” process information
- Expanded alarm indication
- No viewing angle or brightness problems

## Easy to Install

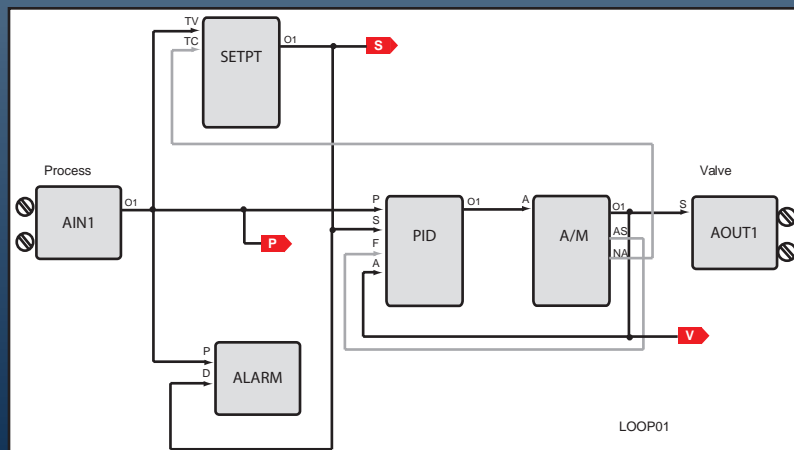
- Uses the same panel cutout & bezel
- Integral display
- Terminal comparison guide for field wiring transfer

## Easy to Engineer

- Select and set up Factory Configured Options from the front panel\*
- Familiar, function-block style configuration software
  - 352 and 353 Function Block and FCO library
  - Even more power with native function blocks



iConfig Software



\*Function Blocks cannot be added, deleted or rearranged in Factory Configured databases without configuration software

# troPAK Controller

352, 352P, and 353 Controllers  
State-of-the-Art  
Form, Fit & Function



## Flexible I/O

- Standard - Basic or Extended, similar to 352 and 353
- Add on - direct-connect, plug-in thermocouple, RTD, voltage, or millivolt inputs, and various discrete I/O types

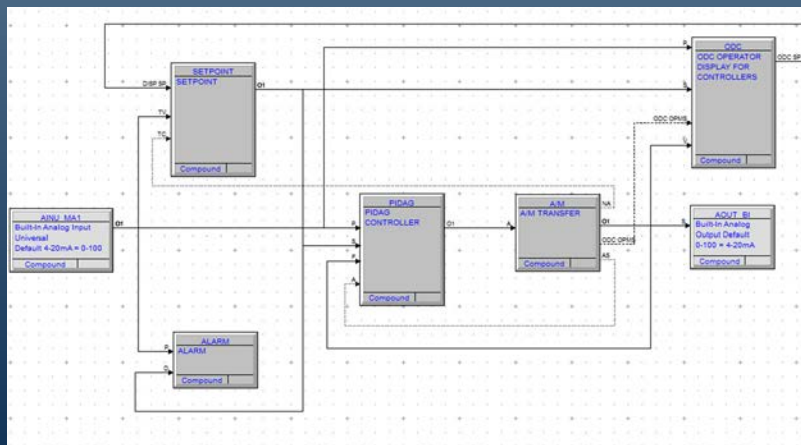
## Flexible Communication

- MicroMod peer-to-peer and Modbus RS-485 or Modbus TCP over Ethernet
- Separate control network from plant information network

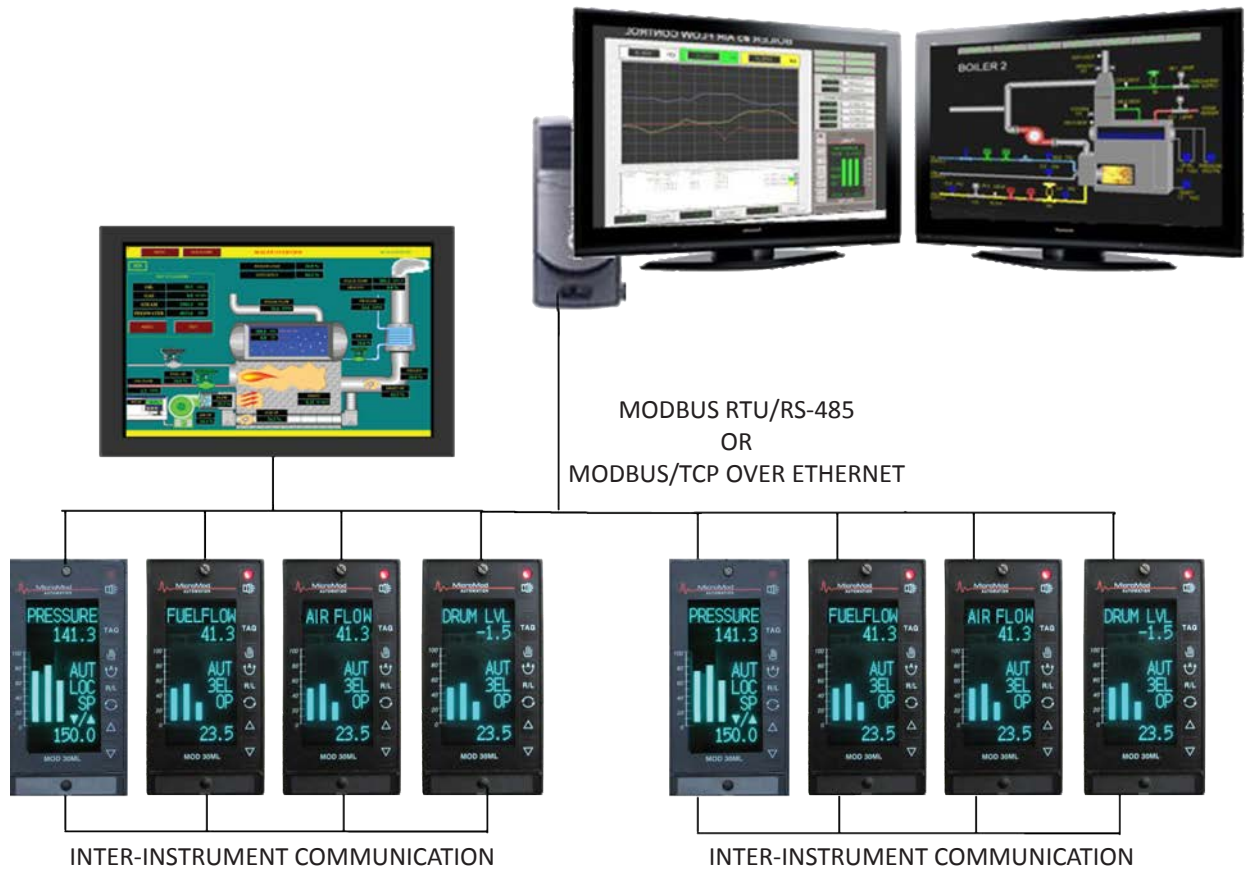
## Reliability. Guaranteed.

- 2-year warranty standard
- Optional extended warranty
- Average time before repair >14 years

Visual Application Designer Software



353 RetroPAK is more than just a controller update. It's your gateway to the future.



# MicroMod

AUTOMATION & CONTROLS

MicroMod Automation & Controls Headquarters  
3 Townline Circle, Suite F  
Rochester, NY 14623 USA

**Phone**

1-800-480-1975 (U.S. and Canada)  
1-585-321-9200  
(55) 57373402 MicroMod México

**Fax**

1-585-321-9291

**Email**

[sales@micromod.com](mailto:sales@micromod.com)

**Web**

[www.micromod.com](http://www.micromod.com)